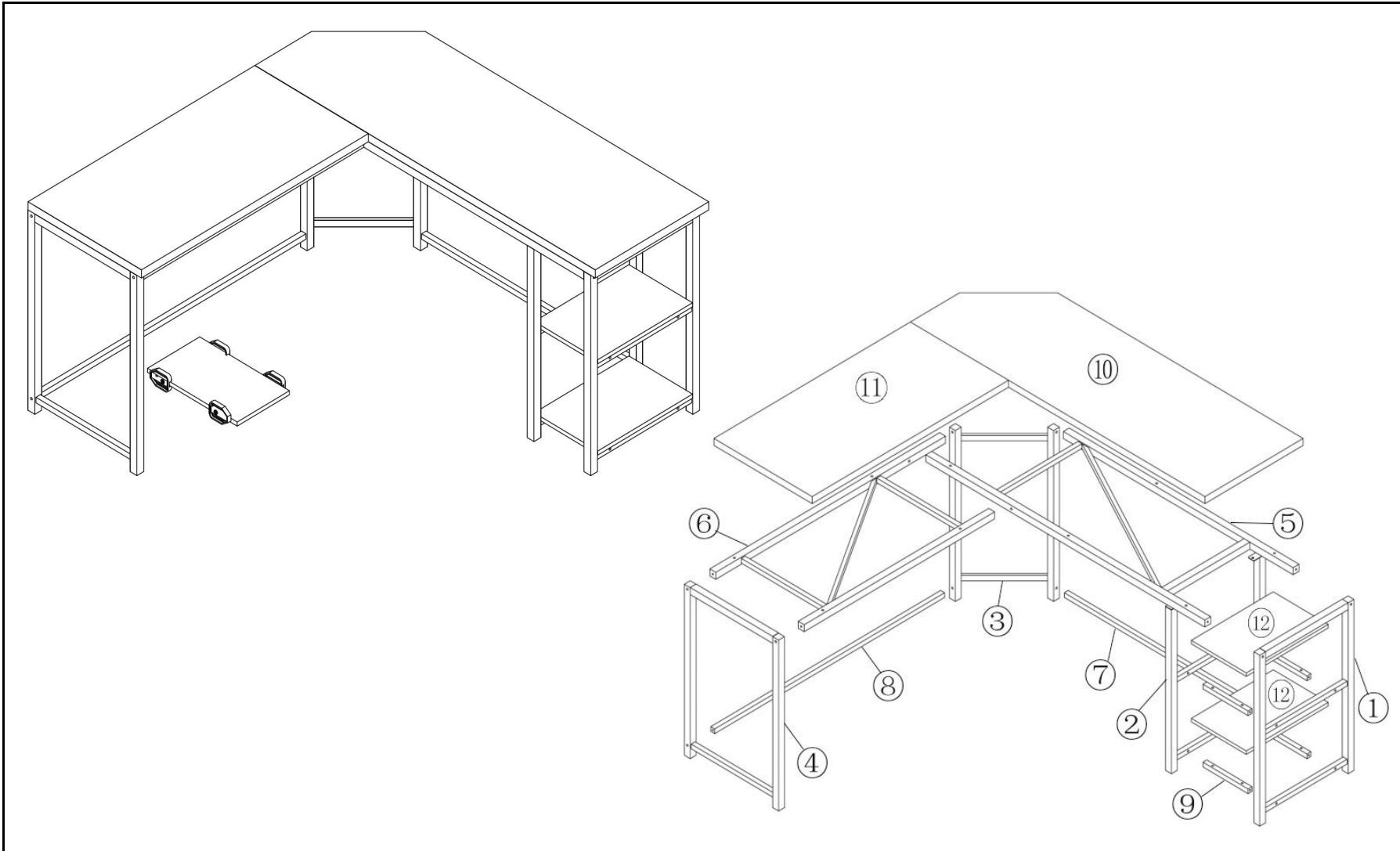


COMPUTER DESK ASSEMBLY INSTRUCTION

ITEM NO.: LD030101



COMPUTER DESK ASSEMBLY INSTRUCTION

ITEM NO.: LD030101

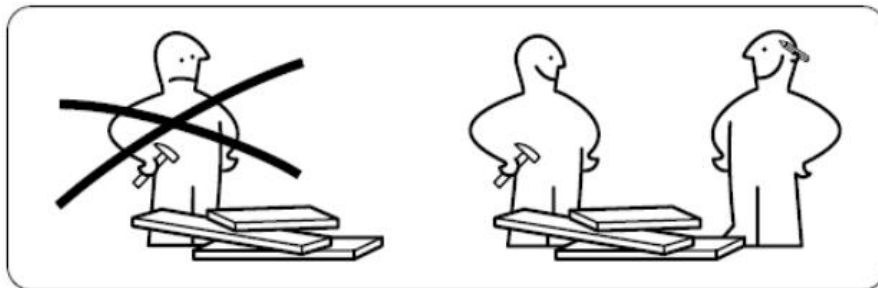
Thank you for purchasing our L-shaped computer desk. Be sure to check all packing material carefully for small parts that may have come loose inside the carton during shipment.

PRE-ASSEMBLY

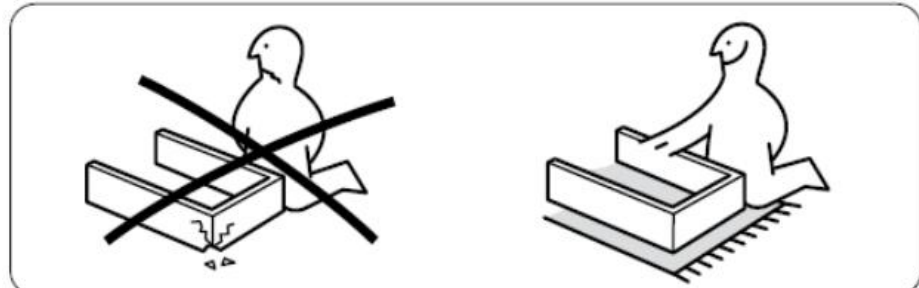
- (1) Proper assembly of this item requires 2 people.
- (2) Do not dispose of any contents until assembly is completed to avoid accidentally discarding small parts or hardware.
- (3) Remove all parts and hardware from box and lay out on a carpeted or scratch-free work surface, such as the cardboard, as this will avoid damaging any parts during assembly.
- (4) Do not fully tighten all bolts until all parts are in place. Failure to follow these instructions may cause the bolts to misalign during assembly.

CARE INSTRUCTIONS

- (1) Hardware may loosen overtime. Periodically check that all connections are tight.
- (2) Wipe with a soft, dry cloth. To protect finish, avoid the use of chemicals and household cleaners.
- (3) All hot serving dishes should be placed on a pad.
- (4) Any liquid spilled onto the furniture should be cleaned up immediately with a damp cloth.

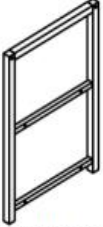


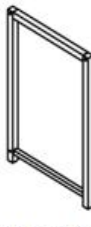





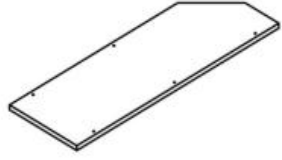

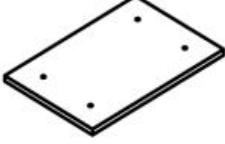
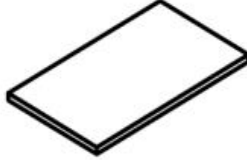







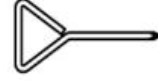


Proper assembly of this item requires 2 people

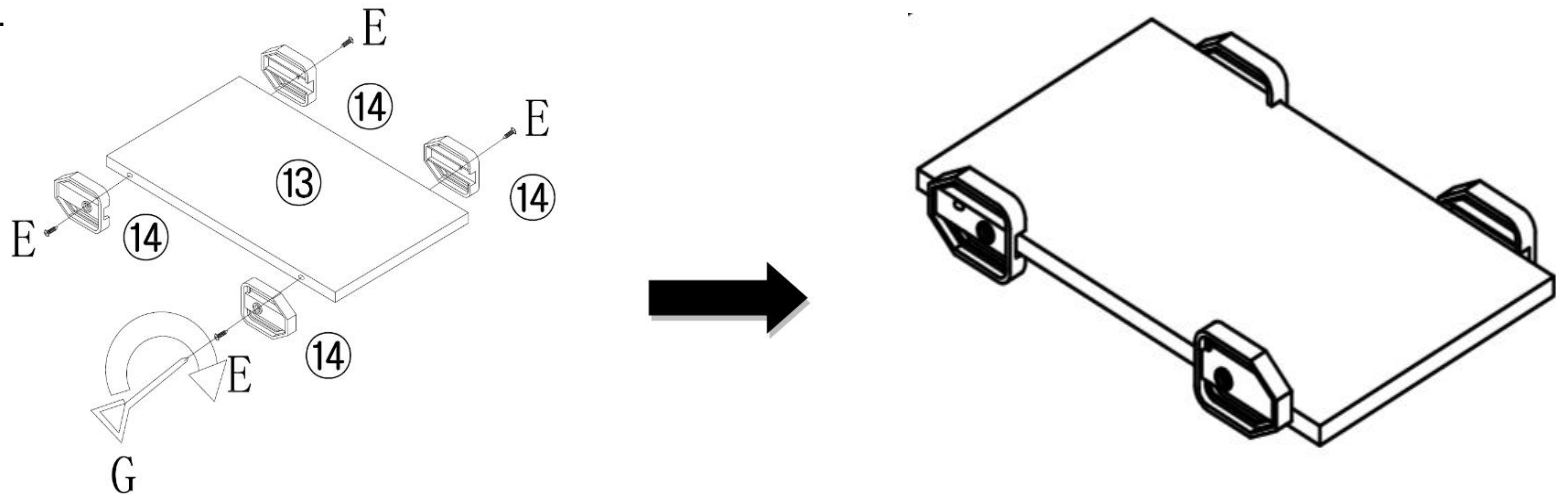


When assembling, please place it on a clean and smooth floor, such as carpet or cardboard.

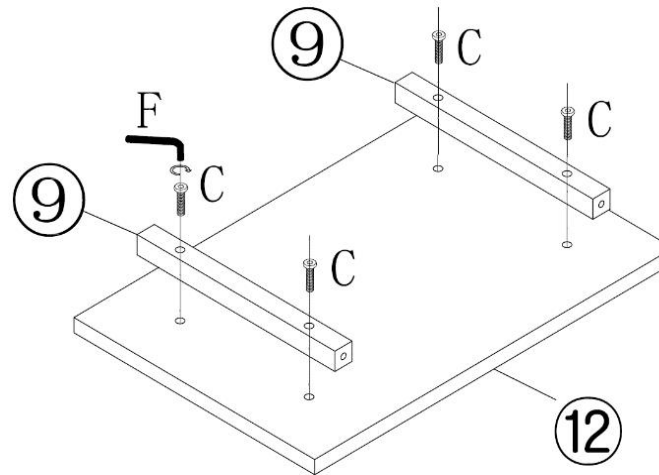
Parts & Hardwares

<p>①</p>  <p>Right Shelf Leg 1 pc</p>	<p>②</p>  <p>Left Shelf Leg 1 pc</p>	<p>③</p>  <p>Corner Leg 1 pc</p>	<p>④</p>  <p>Side Leg 1 pc</p>	<p>⑤</p>  <p>Right Top Frame 1 pc</p>	
<p>⑥</p>  <p>Left Top Frame 1 pc</p>	<p>⑦</p>  <p>Right Short Crossbar 1 pc</p>	<p>⑧</p>  <p>Left Long Crossbar 1 pc</p>	<p>⑨</p>  <p>Short Bar 4 pcs</p>	<p>⑩</p>  <p>Right Desk Top with Corner 1 pc</p>	
<p>⑪</p>  <p>Left Desk Top 1 pc</p>	<p>⑫</p>  <p>Shelf 2 pcs</p>	<p>⑬</p>  <p>CPU Stand Board 1 pc</p>	<p>⑭</p>  <p>CPU Feet 4 pcs</p>	<p>A</p>  <p>Extra Long Screw M6*50mm 12 pcs</p>	
<p>B</p>  <p>Long Screw(M6*40mm) 17 pcs</p>	<p>C</p>  <p>Medium Screw(M6*30mm) 8 pcs</p>	<p>D</p>  <p>Short Screw(M6*12mm) 2 pcs</p>	<p>E</p>  <p>Self-tapping screw (4*16mm) 4pc</p>	<p>F</p>  <p>Allen Key 1 pc</p>	<p>G</p>  <p>Screwdriver 1 pc</p>

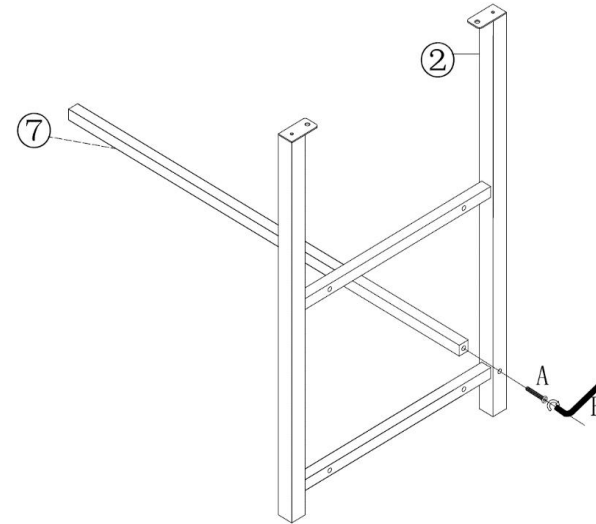
Step 1: Align CPU Feet (14) to CPU Stand Board (13). Insert four Self-tapping screw (E) and tighten with supplied Screwdriver (G).



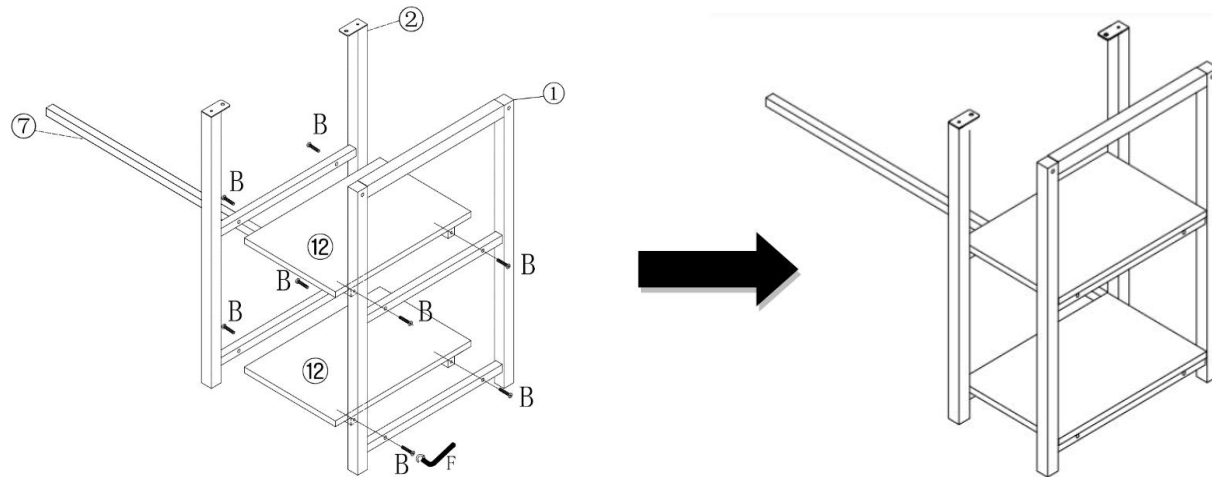
Step 2 :Align two Short Bars (9) to the first Shelf (12). Insert four Medium Screws (C) and tighten with supplied Allen Key (F). Repeat it for the second Shelf.



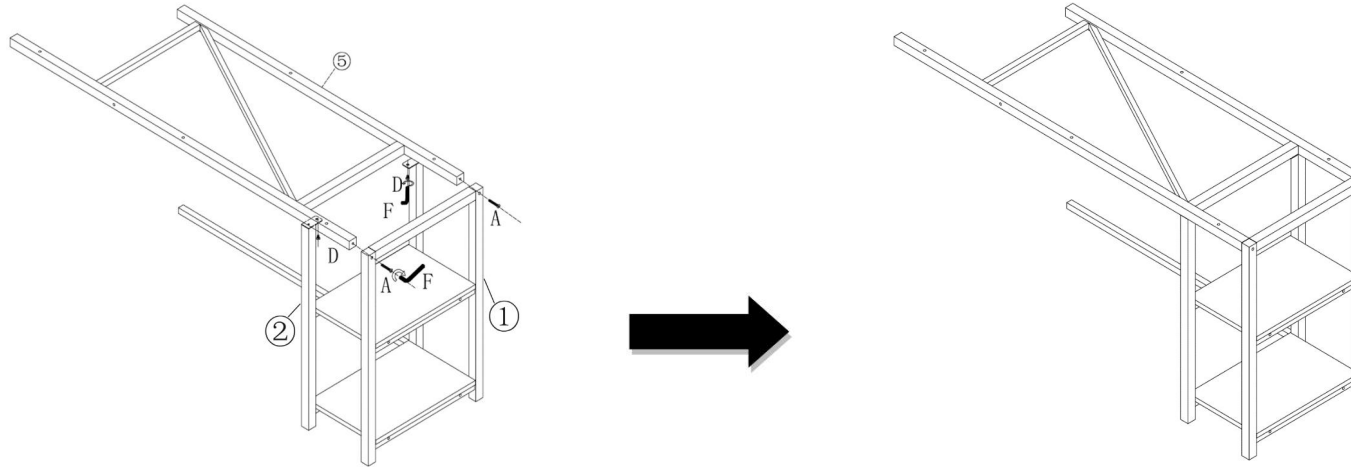
Step 3: Attach Right Short Crossbar (⑦) to Left Shelf Leg(②) by using one Extra Long Screw (A) with supplied Allen Key (F). Do not fully tighten all bolts until all parts are in place.



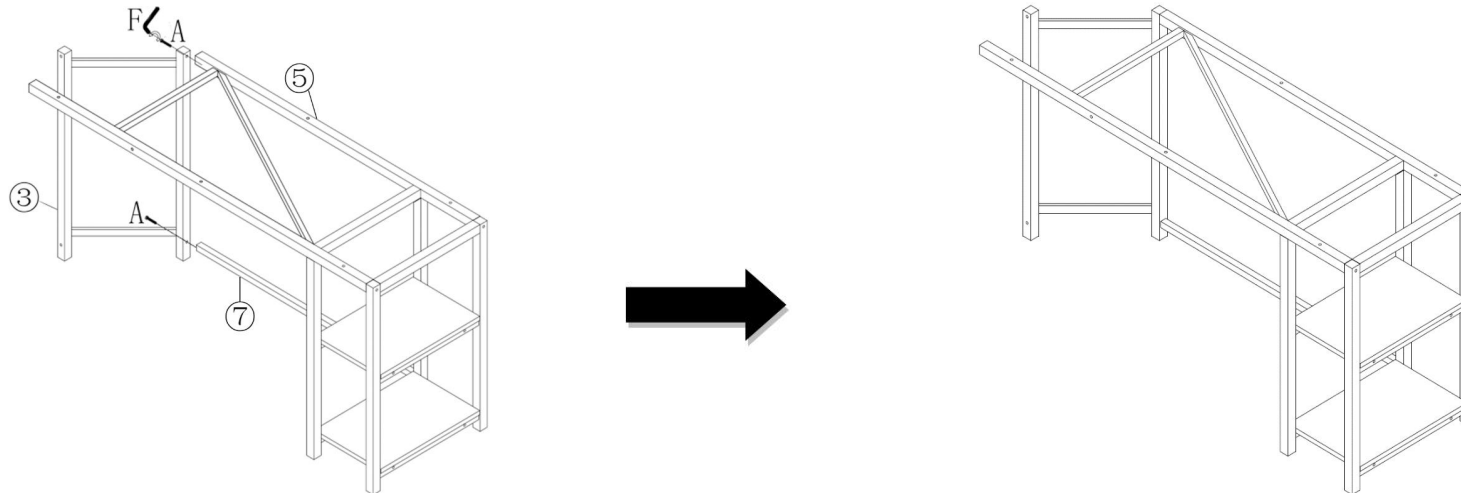
Step 4: Connect Left Shelf Leg (②) and Right Shelf Leg (①) to two assembled shelves (⑫) by inserting eight Long Screw (B). Make sure Left Shelf Leg is on the left and Right Shelf Leg is on the right as shown. Do not fully tighten all bolts until all parts are in place.



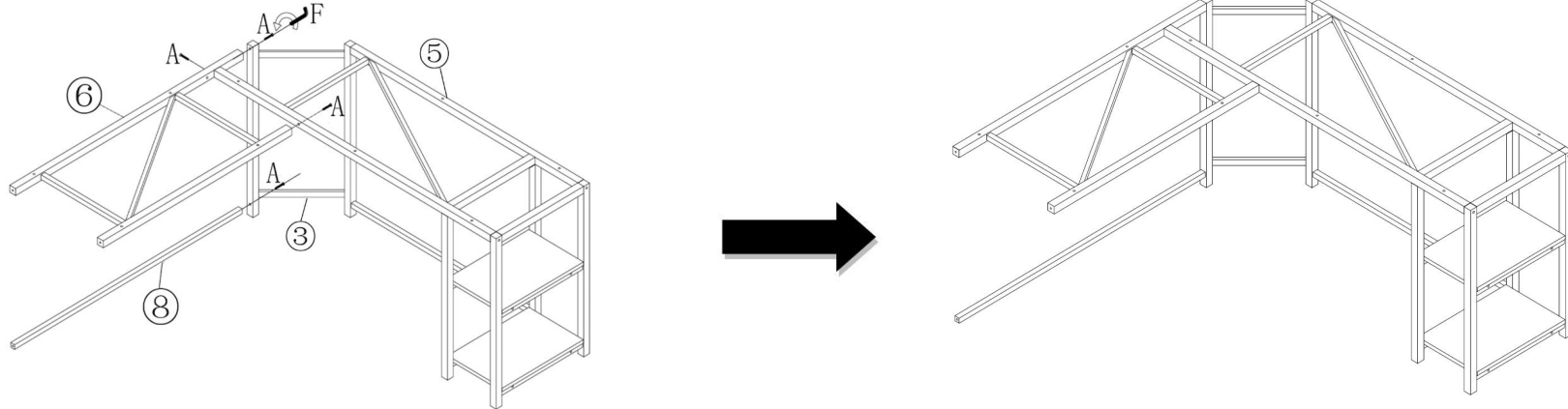
Step 5: Attach Right Top Frame (⑤) to the assembled shelf leg by using two Extra Long Screw (A) to connect Right Shelf Leg (①) and using two Short Screw (D) to connect Left Shelf Leg (②) with supplied Allen Key (F) as shown.



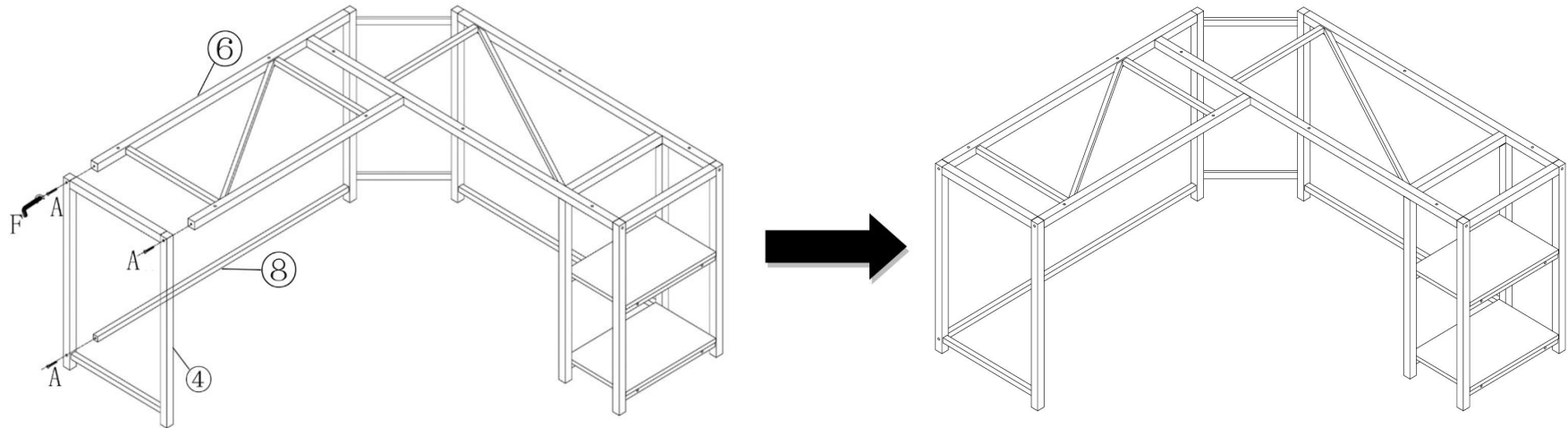
Step 6: Attach Corner Leg (③) to the assembled frame (⑤⑦) by using two Extra Long Screw (A) with supplied Allen Key (F).



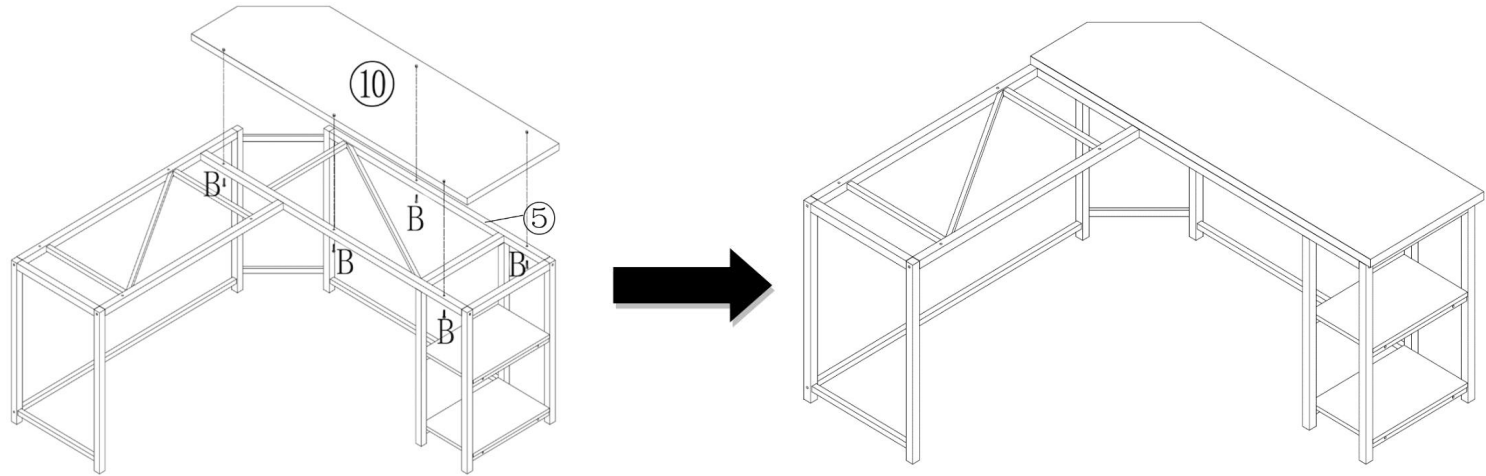
Step 7: Attach Left Long Crossbar (⑧) to the assembled Corner Leg (③) by using one Extra Long Screw (A) with supplied Allen Key (F). Attach Left Top Frame (⑥) to the assembled Corner Leg (③) and Right Top Frame (⑤) by using three Extra Long Screw (A) with supplied Allen Key (F). Do not fully tighten all bolts until all parts are in place.



Step 8: Attach Side Leg (④) to the assembled frame (⑥⑧) by using three Extra Long Screw (A) with supplied Allen Key (F).



Step 9: Align Right Desk Top (⑩) to the assembled Right Top Frame (⑤). Insert five Long Screws (B) and tighten with supplied Allen Key (F).



Step 10: Align Left Desk Top (⑪) to the assembled Left Top Frame (⑥). Insert four Long Screws (B) and tighten with supplied Allen Key (F). Please fully tighten all the screws and assemble complete.

